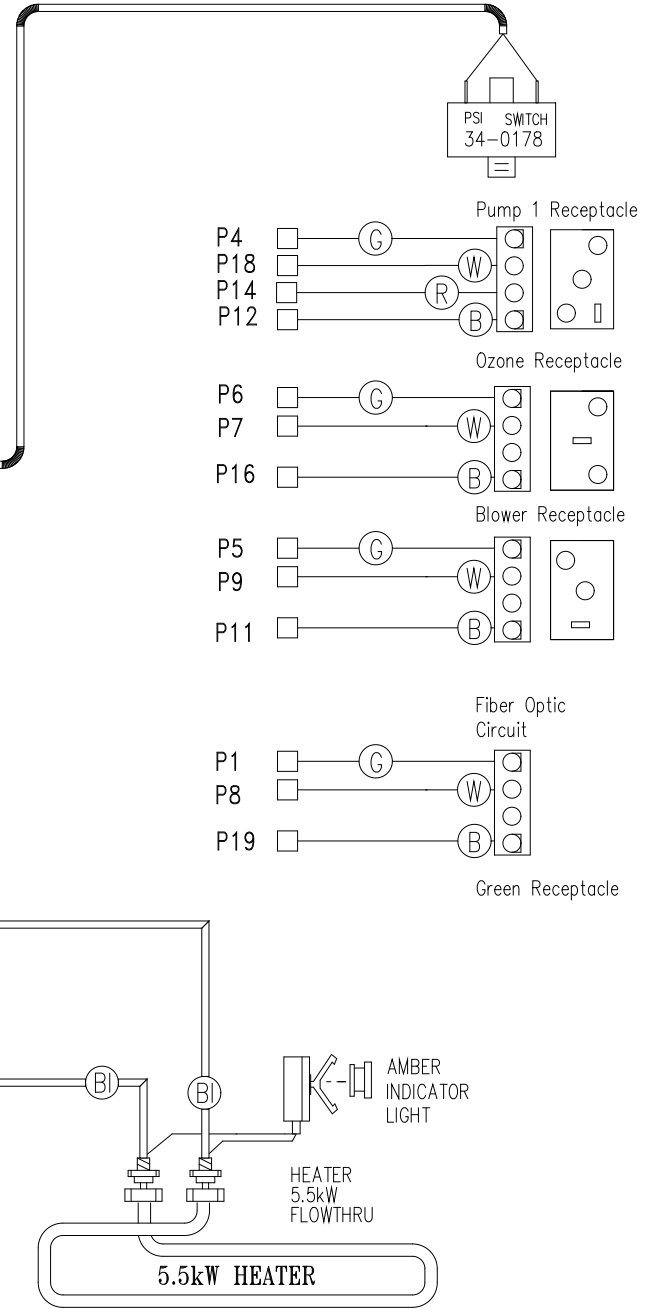
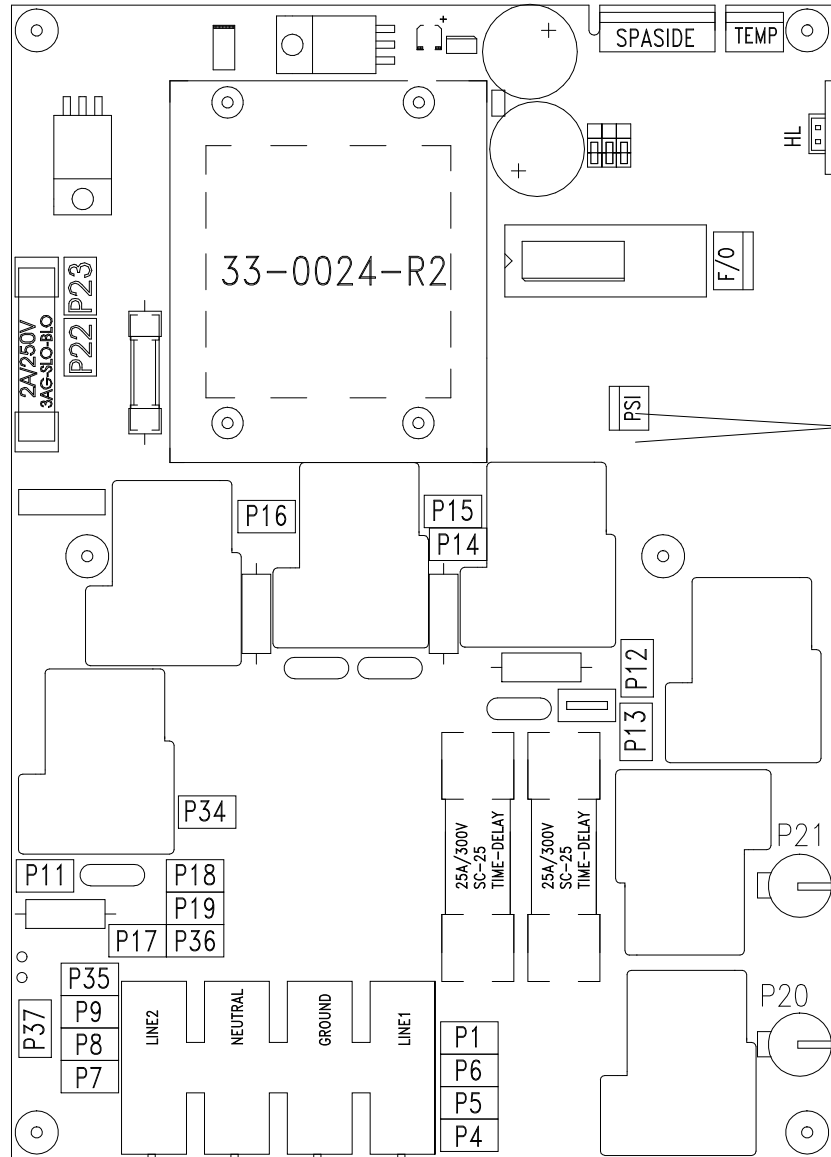
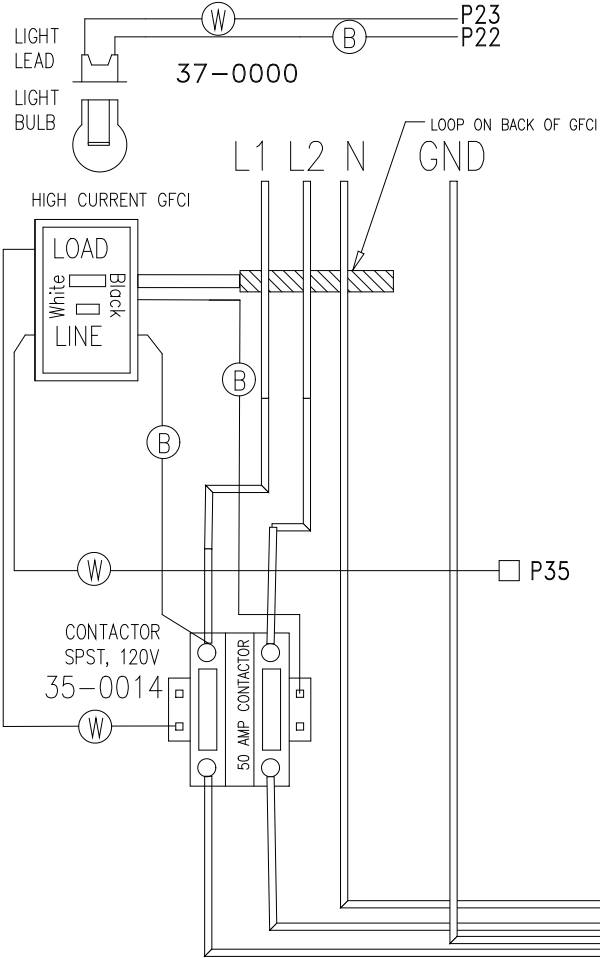


JUMPER SETTINGS

- JMP1 - HC MODE
- JMP2 - °F UNITS
- JMP3 - CIRC PUMP

LEGEND

- 1/4" QUICK CONNECT
- 1/4" QUICK CONNECT PIGGYBACK
- FORK CONNECTOR
- RING CONNECTOR
- SOCKET CONNECTOR
- PIN CONNECTOR



HYDRO-QUIP
CORONA, CA (909) 273-7575

Manufacture Notes:

Approved By:

Dwg. No.
J201AH-DKQY-Z

Drawn	Rev
JLN	2
Date	6.4.01
Diagram No.	4815p

Wire Color Code

B - Black	G - Green
Br - Brown	Bl - Blue
R - Red	V - Violet
O - Orange	W - White
Y - Yellow	Gr - Gray